

NEW

Laminating Technology
Plastic Technology
Encapsulation Technology
Forming Technology
Powder Technology
Services

E-Line

Electrical Powder Compacting Presses

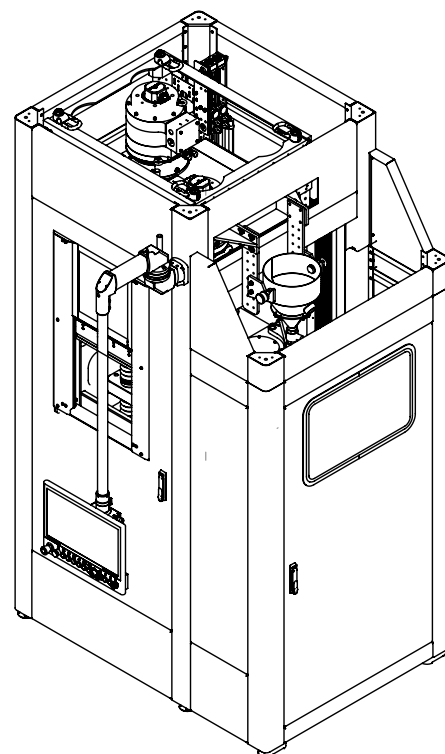


**FORMING
YOUR IDEAS**

**LAUFFER
PRESSEN**

The new LAUFFER E-Line Powder Compacting Presses

Models & Details	Unit	12	16
1. UPPER LEVEL	X1		
Pressing force, max.	kN	120	160
Speed, max.	mm/s	300	300
Stroke, with LAUFFER adapter max.	mm	160	160
Stroke, max.	mm	275	275
DIE PLATEN	Y0		
Counter force	kN	120	160
1. LOWER LEVEL	Y1		
Pressing force, max.	kN	120	160
Speed, max.	mm/s	110	110
Stroke, with LAUFFER adapter max.	mm	150	150
Stroke, max.	mm	275	275
CORE ROD	Y5		
Pressing force, max.	kN	40	40
Speed, max.	mm/s	200	200
Stroke, with LAUFFER adapter max.	mm	150	150
Stroke max.	mm	250	250
POSITIONING ACCURACY			
Upper levels	mm	±0,001	±0,001
Lower levels	mm	±0,001	±0,001
SET UP ON FLOOR		✓	✓



The VALUES given can be adapted according to customer's requirements!

The E-Line at a glance

Design

- Ejection procedure
- Machine enclosure concept
- Precise force measurement for upper and lower axes
- Possible integration of customized adapter
- Prepared for the use of various clamping systems and peripheral devices
- Prepared for several handling and automation systems

Advantages

- High-precision positioning and repeatability (proven by customer results)
- Energy saving and energy recuperation
- Highest repeatability
- Less components
- Less maintenance costs

Footprint and dimensions

